



KONE Elevators Pty Ltd

A.B.N 47 00 142 423
205 Euston Road
Alexandria NSW 2015
Australia
www.kone.com

24 hour service
1300 362 022

Australian Elevator Association
PO Box 75
Willoughby
NSW, 2068
Australia

23.08.2012

Dear Noel Smith

Re: Replacement of CWF10PWS Counterweight Guards and Keeper Plates

KONE recently provided the attached letter, instructions and materials to owners of KONE MonoSpace elevators that have CWF10PWS counterweights.

Where KONE has not already replaced the guard and keeper plate the owner has elected for their current maintainer to fit them. Some of these elevators may be maintained by your company. Those owners or their agents should be contacting you soon to arrange fitting the new components.

Components will also be available from KONE at no cost until 31 December 2012. If your customer needs another guard kit please provide the site address, lift number and pulley diameter.

Should you have any further questions please contact Rod Austin-Eames on 02 9577 7136.

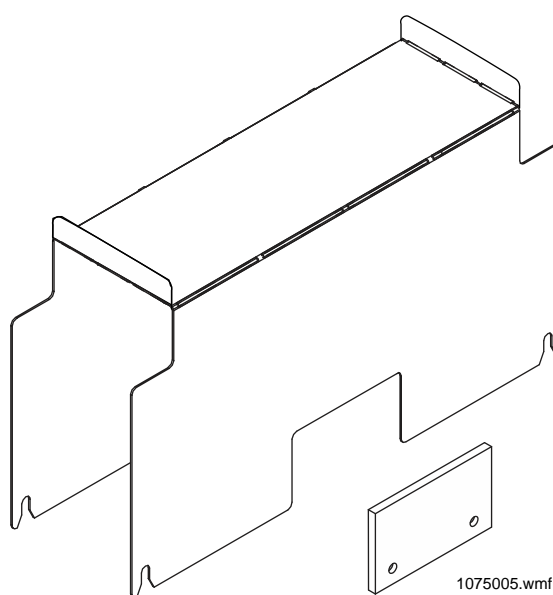
Sincerely

A handwritten signature in black ink that reads "P. Evans". The signature is written in a cursive, flowing style.

PETER EVANS
Service Business Director

APPENDIX: CWF10PWS COUNTERWEIGHT UPGRADE

NOTE: This document is intended to be used by competent maintenance people who are suitably trained, qualified by knowledge and practical experience, provided by their maintenance organizations with necessary instructions and supported within their own maintenance organizations to enable the required maintenance operations to be safely carried out. The work described in this instruction should never be undertaken by any other person than a competent maintenance person described above. KONE shall not assume any liability for any damage, loss, injury and/or death due to performance of work in accordance with and/or related to this instruction.



CONTENTS

1	INTRODUCTION	3
1.1	Selecting the correct upgrade package	3
1.2	Related documents	4
1.3	Symbols used in this document	4
2	ENVIRONMENTAL ISSUES	5
3	MAINTENANCE METHOD SAFETY	5
4	CHECKING THE NEED FOR UPGRADE PACKAGE	6
5	INSTALLING UPGRADE PACKAGE	8
5.1	Finalizing the maintenance work	12

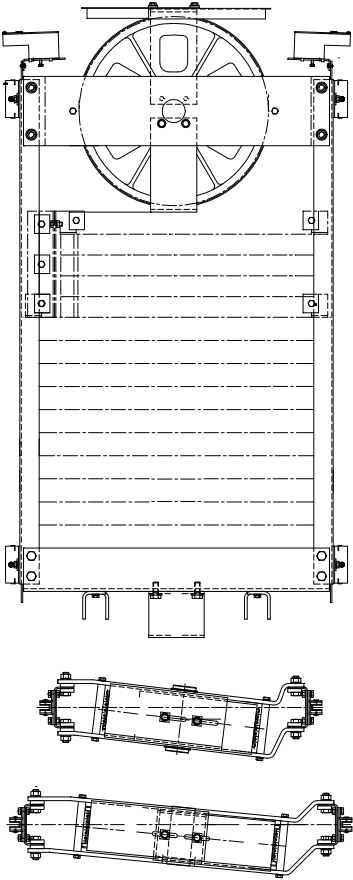
1 INTRODUCTION

This instruction describes the procedure for installing a counterweight upgrade package which consists of a counterweight pulley cover plate and an axle holder.

1.1 Selecting the correct upgrade package

This upgrade package is suitable for counterweight CWF10PWS versions which have a longer pulley axle and axle retainer rings fitted. Typically, this counterweight version has been installed in KONE elevators with MX10 or MX06 machine delivered since late 2004. Select the upgrade package based on the counterweight pulley diameter.

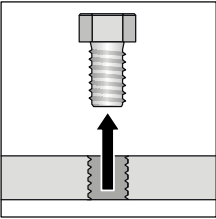
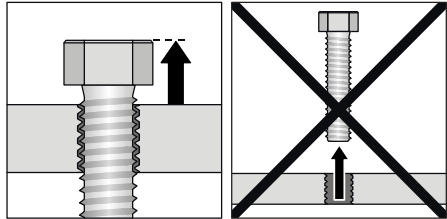
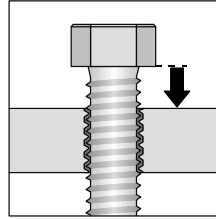
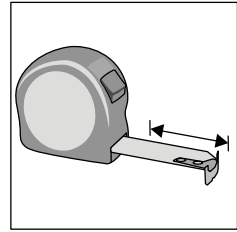
NOTE! Each upgrade package contains materials for five counterweights.

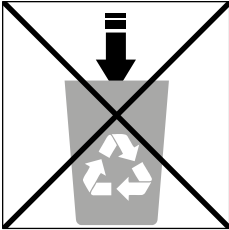

Counterweight type	Counterweight pulley diameter (mm)	Upgrade package part number
Counterweight with the skewed pulley CWF10 2:1PWS (601769G01/601769G02) 	330	KM50025977R01
	410	KM50025975R01

1.2 Related documents

Refer to your local, national or other applicable safety instructions and requirements related to elevator maintenance.

1.3 Symbols used in this document

Symbol	Description
	Remove the screw.
	Loosen the screw. Do not remove it.
	Tighten the screw to full tightness.
	Measure the distance indicated in the picture.

Symbol	Description
	<p>Do not throw away anything indicated in the picture.</p>
	<p>Wear safety gloves.</p>

2 ENVIRONMENTAL ISSUES

Hazardous waste material must be taken care of according to the local regulations.

3 MAINTENANCE METHOD SAFETY

It is required that the person working in accordance with these instructions is familiar with the normal safety measures related to elevator maintenance. All applicable local, national, international and/or other safety legislation, regulations and codes and standards must also be followed. Issues to be especially taken into consideration include but are not limited to:

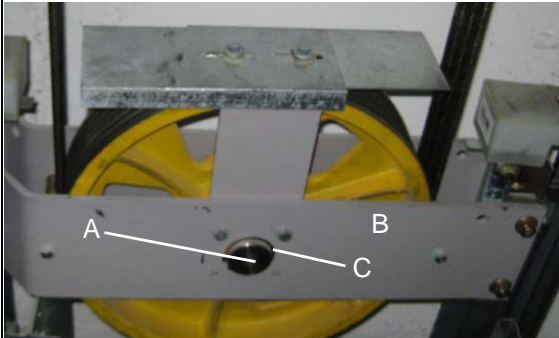
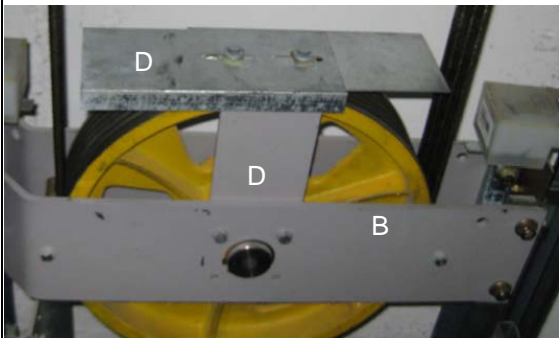
- Safety precautions when working on the elevator car roof
- Safety precautions when driving the elevator on inspection drive
- Safety precautions related to work at height
- Safety precautions related to end-user safety and taking the elevator out of use maintenance
- Electrical safety
- The use of protective gloves when handling metal plates and/or elevator ropes


4 CHECKING THE NEED FOR UPGRADE PACKAGE

The following conditions help to identify the affected units equipped with CWF10PWS counterweight. The units relevant for the upgrade fulfill all of the characteristics below:

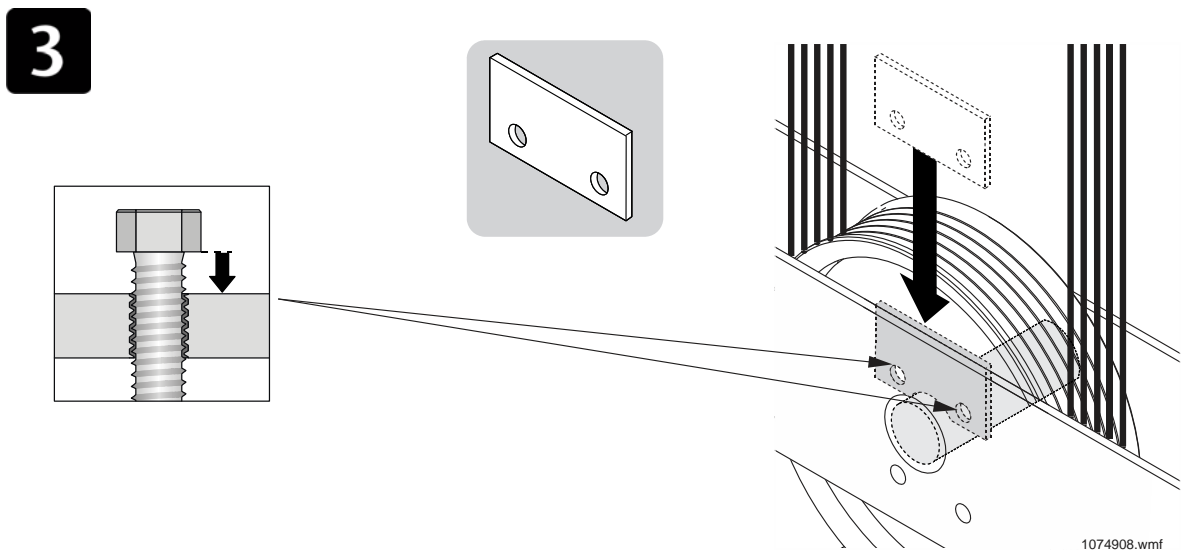
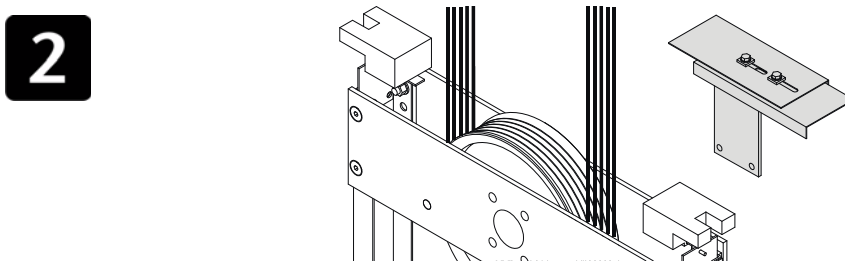
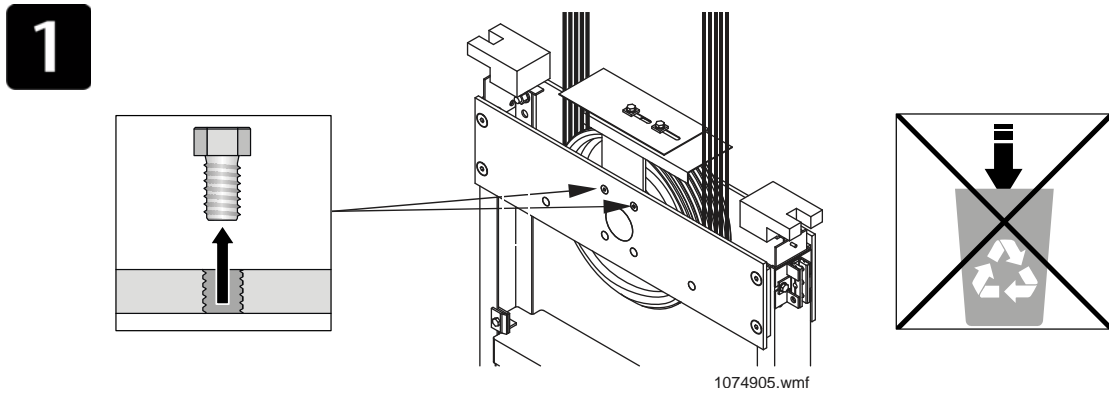
WARNING

Refer to Appendix 2 for safety measures for counterweight upgrade.

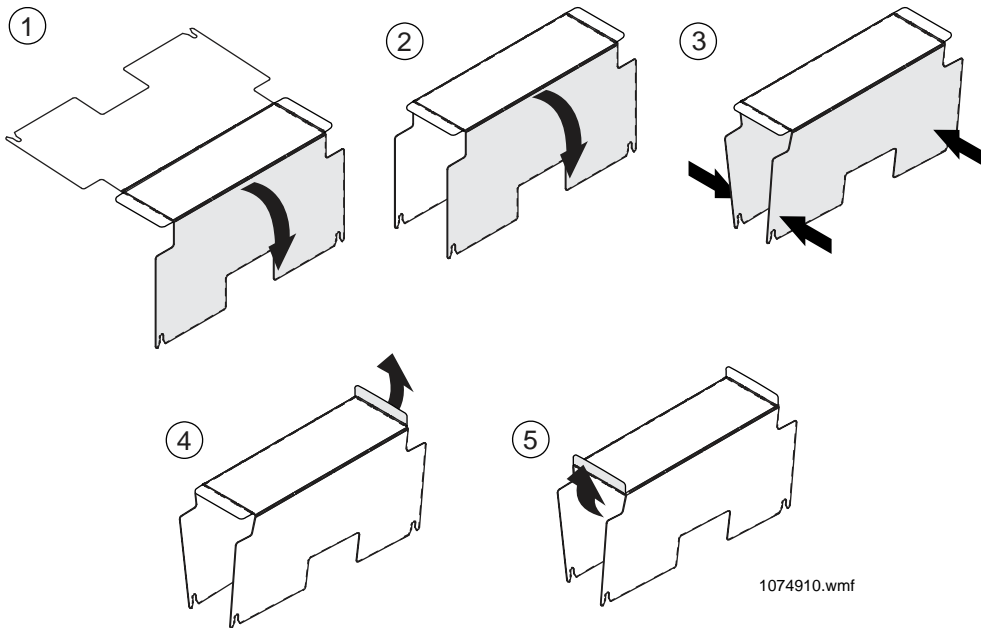
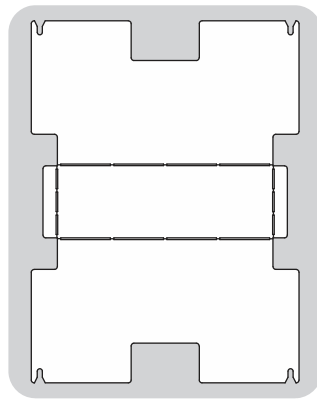
	Condition	Illustration/Note
1	Unit has been delivered in the year 2004 or later (until August 2011).	The year of delivery is indicated in the car operating panel.
2	Elevator and machinery type combination is one of the following: <ul style="list-style-type: none"> • KONE MonoSpace machineroomless elevator with MX10 machinery. • KONE SMonoSpace and KONE SMiniSpace elevators with MX10 machinery • KONE XMiniSpace with MX06 or MX10 machinery. 	The motor type is marked to the motor data plate which is fixed into the motor.
3	On both sides, the pulley axle (A) extends outside of the pulley assembly side plate (B) with retainer ring (C) fitted.	
4	Counterweight has an integrated upper axle holder and rope cover plate (D) fitted inside the pulley assembly side plate (B). NOTE! Axle holder (D) can be on car roof side or shaft wall side.	

	Condition	Illustration/Note
5	Counterweight pulley diameter and distance between guiderails is one of the following combinations: <ul style="list-style-type: none">• the pulley diameter is 330mm and the distance between the guiderails is 570mm; or• the pulley diameter is 410mm and the distance between the guiderails is 700mm.	
6	Distance between the pulley assembly side plates is 124 mm.	

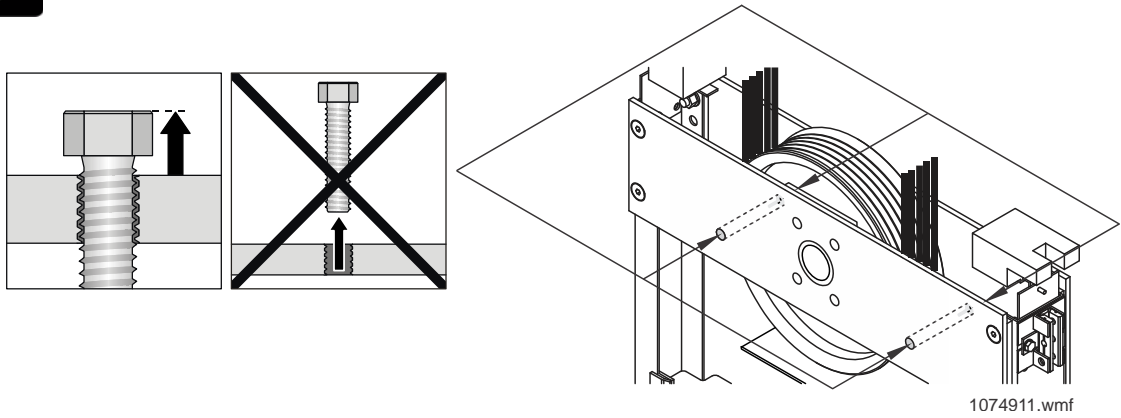
5 INSTALLING UPGRADE PACKAGE



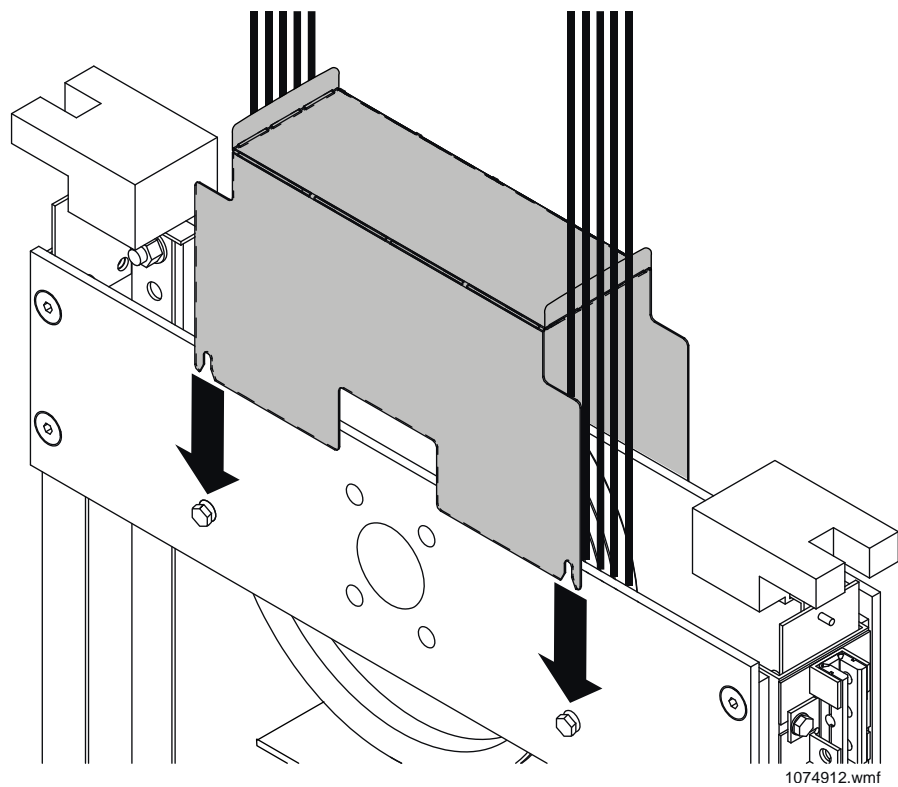
4



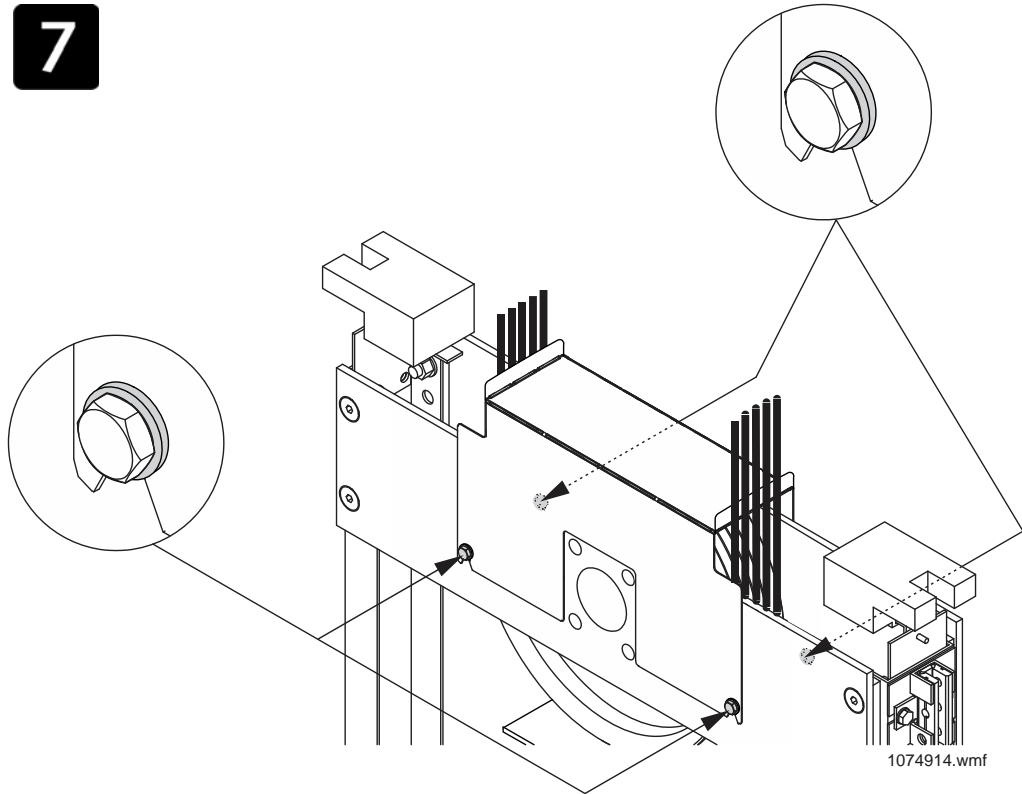
5



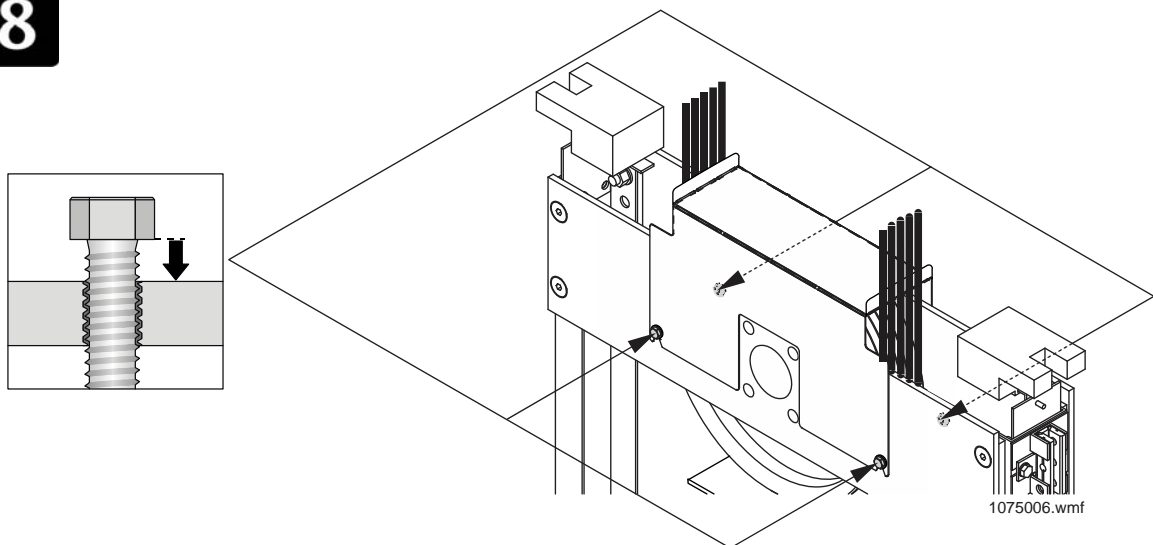
6

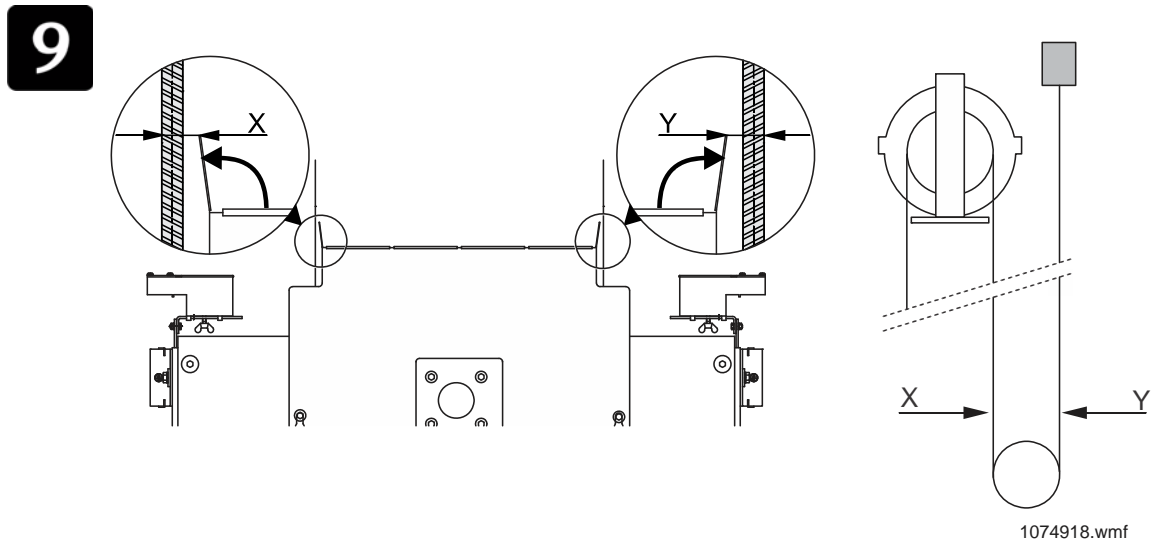


7



8





X (on machinery side) = 3 – 5 mm.
 Y (on counterweight rope fixing side) = 8 – 10 mm.

NOTE! The gap from the cover plate to the rope is different in different parts of the shaft. Typically, the shortest distance is when the counterweight is in its higher position and on the rope fixing side.

5.1 Finalizing the maintenance work

Step	Action	Illustration/Note
1	Check that the suspension ropes do not touch the pulley cover anywhere.	Drive on inspection to bottom floor. Inspect by listening that the ropes on the rope anchorage side of the counterweight pulley are not rubbing on the cover plate.